

## End – line flame arrester

Figure: HITEK - LFA

According to API 2000 code, BS7244, the LFA is designed, manufactured and tested by HITEK Model BV series type is mounted on the end of a vent pipe from the tank. Vapors are allowed to escape into the atmosphere and air can be drawn into the tank through the flame element. The flame arrester consists of a spiral wound and crimped bank element. The flame arrester is installed where it is not necessary to conserve vapor losses but low flash point solvent liquid must be protected against fire and explosion from exterior ignition sources.

All flame arresters are bi-directional and the installation on a tank or piping system depends to a great extent on the design of the system. The Model LFA series is recommended for vertical installation on roof of tank or venting to atmosphere



**Product name:** End line flame arrester

**Model:** LFAA (Aluminum)

LFAC (Carbon steel)

LFAS (SS304/SS316/SS316L)

**Internal:** SS304

**Element:** SS304/SS316/SS316L

**Design standard:** API 2000

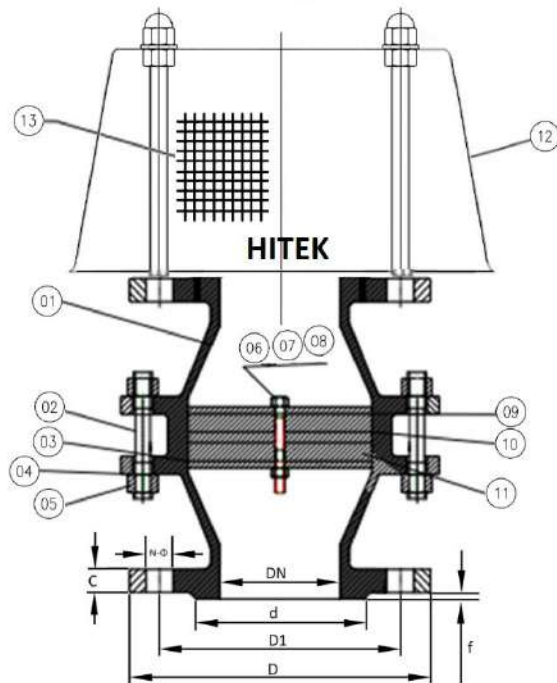
**Type:** Explosion flame arrester

**Flame cell (Element):** Group IIA or (IIB/IIC)

**Flange standard:** ASME B16.6(or requested by JIS/DIN)

**Size** 50mm – 300mm

Part No	Part name	Aluminum	Cast steel	Stainless steel	Stainless steel
1	Body	B26 -319.F	A216-WCB	SS304	SS316
2	Stub bolt	SS304	SS304	SS304	SS316
3	Gasket	PTFE	PTFE	PTFE	PTFE
4	Washer	SS304	SS304	SS304	SS316
5	Nut	SS304	SS304	SS304	SS316
6	Bolt	SS304	SS304	SS304	SS316
7	Nut	SS304	SS304	SS304	SS316
8	Washer	SS304	SS304	SS304	SS316
9	Flame case	B26 -319.F	A216 WCB	SS304	SS316
10	Flame platen	PTFE	PTFE	PTFE	PTFE
11	Flame element	SS304	SS304	SS304	SS316
12	Cap	SS304	SS304	SS304	SS316
13	Dust screen	SS304	SS304	SS304	SS316



SIZE	DN	D	D1	d	C	f	N-ØL
2"	50	150	120.5	92	19.5	2	4- Ø18
3"	80	190	152.5	127	24	2	4- Ø18
4"	100	230	190.5	157.5	24	2	8- Ø18
6"	150	280	241.5	216	25.5	2	8- Ø22
8"	200	345	298.5	270	29	2	8- Ø22
10"	250	405	362	324	30.5	2	12- Ø26
12"	300	485	432	381	32	2	12- Ø26

DESIGNED BY HITEK PETROLEUM EQUIPMENT CO., LTD