

Gauge hatch

Figure: HITEK - HGH

According to API 2000 code, BS7244, the HGH is designed, manufactured and tested by HITEK Model HGH series type - Gauge Hatch is designed to provide easy access to storage tanks for gauging product level or temperature and product sampling. The standard hatch features a foot opening cover, flexible sealing member and tape gauge marker.

These gauge hatches are intended for use where the fire protection afforded by flame arresters is not considered necessary. They are available with either a non-locking or locking hatch. Gauge hatches are furnished with flat faced flanges. It is recommended that they be installed on mating flat face flanges with a full faced gasket.

Easy Inspection, Installation, and Maintenance, Special locking design available with a Knob Latch construct



Product name: Gauge hatch

Model: HGHA (Aluminum)

HGHC (Carbon steel)

HGHS (SS304/SS316/SS316L)

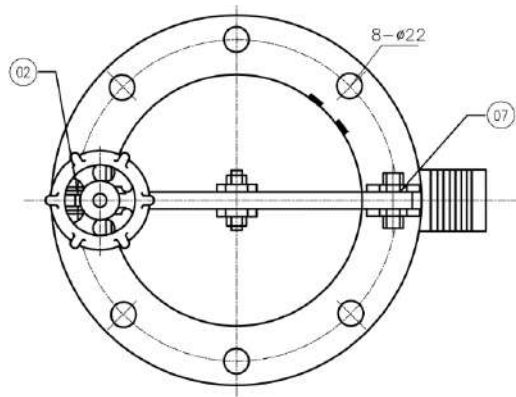
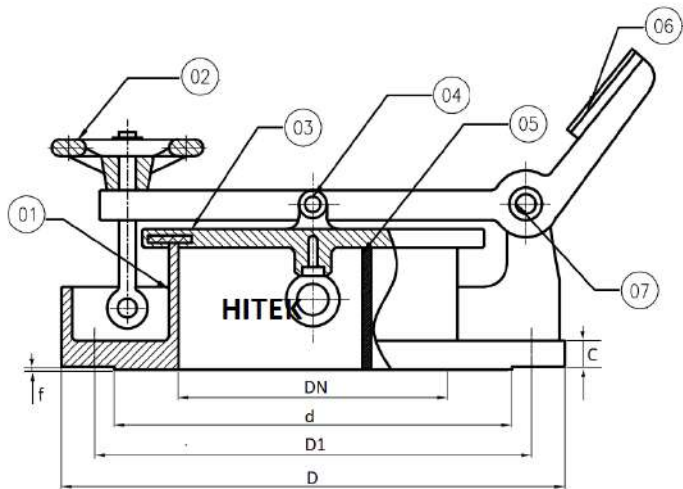
Design standard: API 2000

Flange standard: ASME B16.6

(or requested by JIS/DIN)

Size 50mm – 300mm

Part No	Part name	Aluminum	Cast steel	Stainless steel	Stainless steel
1	Body	Cast Alu	A216-WCB	SS304	SS316
2	Handwheel	WCB	WCB	SS304	SS316
3	Cover	Cast Alu	WCB	SS304	SS304
4	Eye-bolt	SS304	WCB	SS304	SS316
5	Measurement groove	Copper	Copper	SS304	SS316
6	Pedal	WCB	WCB	SS304	SS316
7	Eye-bolt	WCB	WCB	SS304	SS316



SIZE	DN	D	D1	d	C	f	N-ØL
4"	100	230	190.5	157.5	24	2	8- ø18
6"	150	280	241.5	216	25.5	2	8- ø22
8"	200	345	298.5	270	29	2	8- ø22
10"	250	405	362	324	30.5	2	12- ø26
12"	300	485	432	381	32	2	12- ø26

DESIGNED BY HITEK PETROLEUM EQUIPMENT CO., LTD