

Breather valve

Figure: HITEK - BV

According to API 2000 code, BS7244, EN 12874, the BV is designed, manufactured and tested by HITEK

Breather Valves, also called Pressure/Vacuum Relief Valves, are special types of Relief Valves which are specifically designed for tank protection. The range includes pressure only, vacuum only and combined Pressure/Vacuum Valves, all available with flanged outlets or vented to atmosphere. They are used extensively on bulk storage tanks, including fixed roof tanks with floating covers, to minimize evaporation loss and prevent the build-up of excessive pressure or vacuum which can unbalance the system or damage the storage vessel.

They are manufactured with any different material according to different medium such as petroleum, chemical, food industry, totally satisfy every kind of storage system process requirements



Product name: Breather valve

Model: BVA (Aluminum)

BVC (Carbon steel)

BVS (SS304/SS316)

Internal: SS304

Element: SS304/SS316/SS316L

Design standard: API 2000

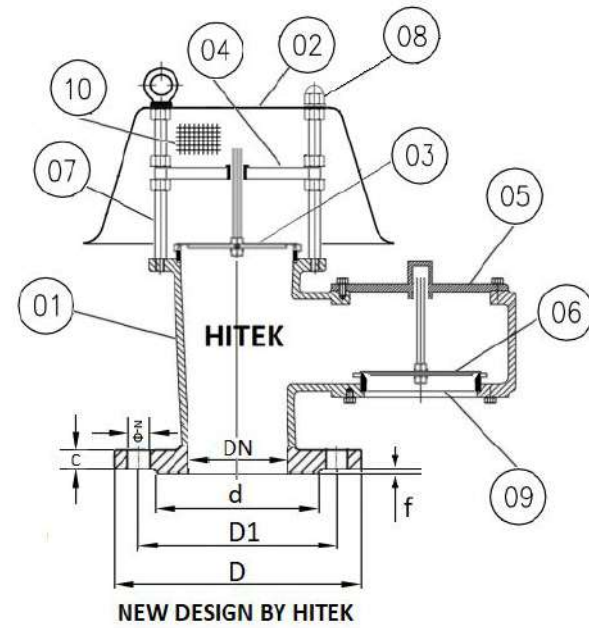
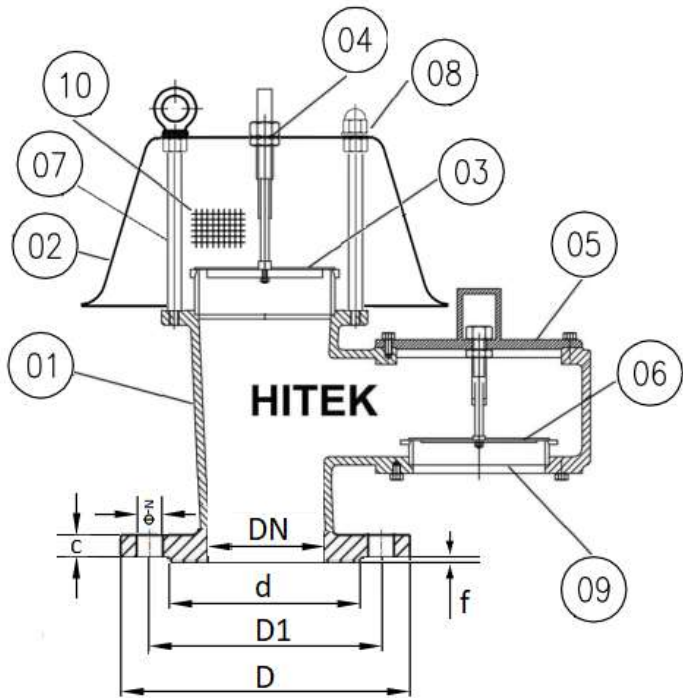
Type: Explosion flame arrester

Set pressure: max. + 700mmW.C/ - 430mmW.C

Flange standard: ASME B16.6(or requested by JIS/DIN)

Size 50mm – 300mm

Part No	Part name	Aluminum	Cast steel	Stainless steel	Stainless steel	SIZE	DN	D	D1	d	C	f	N-ØL
1	Body	B26 -319.F	A216-WCB	SS304	SS316	2"	50	150	120.5	92	19.5	2	4- Ø18
2	Cap	SS304	SS304	SS304	SS304	3"	80	190	152.5	127	24	2	4- Ø18
3	Pressure disc	SS304/PTFE	SS304/PTFE	SS304/PTFE	SS316/PTFE	4"	100	230	190.5	157.5	24	2	8- Ø18
4	Disc stem	SS304	SS304	SS304	SS316	6"	150	280	241.5	216	25.5	2	8- Ø22
5	Cover	B26 -319.F	A216-WCB	SS304	SS316	8"	200	345	298.5	270	29	2	8- Ø22
6	Vacuum disc	SS304/PTFE	SS304/PTFE	SS304/PTFE	SS316/PTFE	10"	250	405	362	324	30.5	2	12- Ø26
7	Stub bolt	SS304	A216-WCB	SS304	SS316	12"	300	485	432	381	32	2	12- Ø26
8	Nut	SS304	SS304	SS304	SS316								
9	Vacuum screen	SS304	SS304	SS304	SS316								
10	Dust screen	SS304	SS304	SS304	SS316								



DESIGNED BY HITEK PETROLEUM EQUIPMENT CO., LTD