

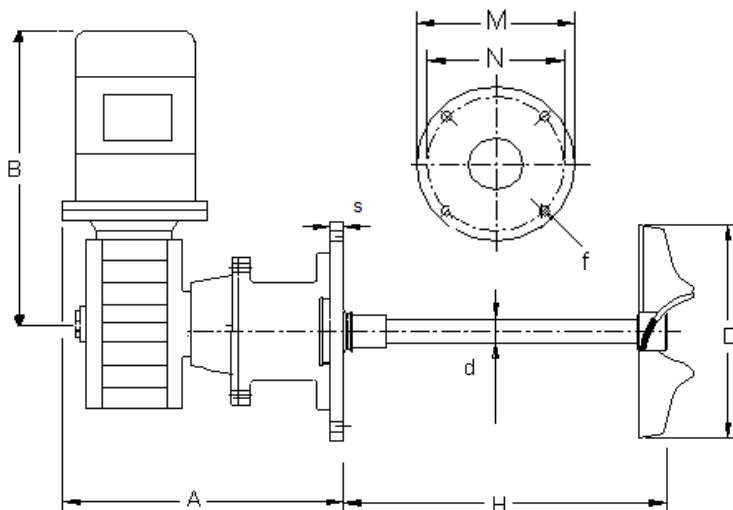
ALC SERIES: Side entry mixers with bevel gearbox

Range of ALC side entry mixer is the best solution for simple blending or storage applications in large volume tanks. Bevel gearbox allow to make a compact machine, with vertical motor. Mixing shaft is directly coupled inside gearbox hollow shaft, fixed with top screw. Construction is very flexible and there are many options for seal systems, including shut off device, which allow seal replacement without emptying tank. Also available are versions for ATEX environment, zone 1 and 2.

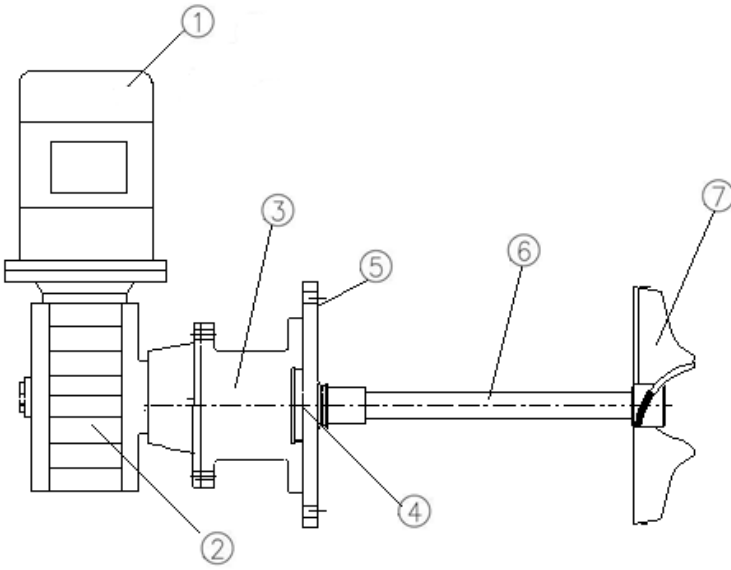
MODEL	MOTOR			DIMENSIONS						PERFORMANCES			
	kw	In (A)	RPM	A	B	D	d x H	Flange	Kg	m ³ /h	Mt [Nm]	Mf [Nm]	Fa [N]
ALC1-5,5-S	5,5	11,3	280	460	600	F-620	45 x 700	DN150 PN10	160	2550	320	440	3000
ALC2-7,5-S	7,5	14,4	280	550	660	F-660	55 x 800	DN250 PN10	225	3100	430	600	4000
ALC2-11-S	11	20,9	280	550	780	F-710	55 x 800	DN250 PN10	265	3850	630	780	5000
ALC3-15-S	15	28,3	195	600	850	C-800	70 x 950	DN300 PN10	320	5000	1000	1500	6600
ALC4-22-S	22	41,1	300	650	1070	C-660	70 x 950	DN300 PN10	450	4400	1000	2100	6600
ALC5-30-S	30	52	300	700	1200	F-840	80 x 1100	DN350 PN10	670	6800	1600	2300	9500
ALC5-37-S	37	65	265	730	1280	C-800	80 x 1100	DN350 PN10	710	6800	2200	3500	10500
ALC6-45-S	45	78	340	830	1320	F-840	90 x 1200	DN400 PN10	840	7700	2000	2800	12500
ALC6-55-S	55	93	300	850	1430	C-800	90 x 1200	DN400 PN10	950	7700	2800	4200	13500

Main applications are for large volume storage tanks:

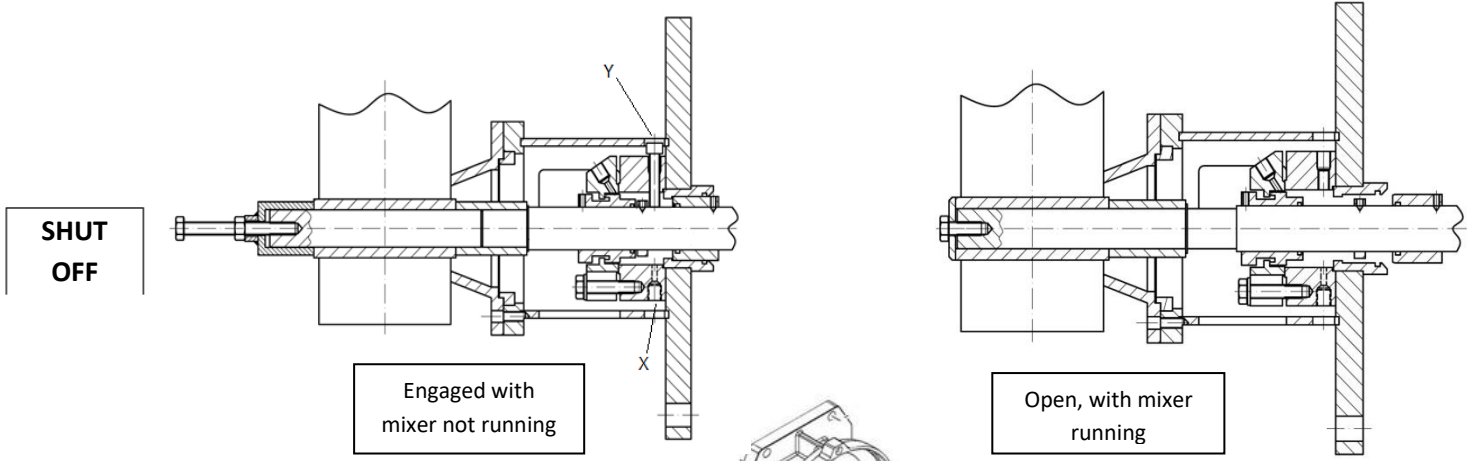
- Food oils
- petroleum products
- Biodigesters
- FGD reactors
- Bitumen



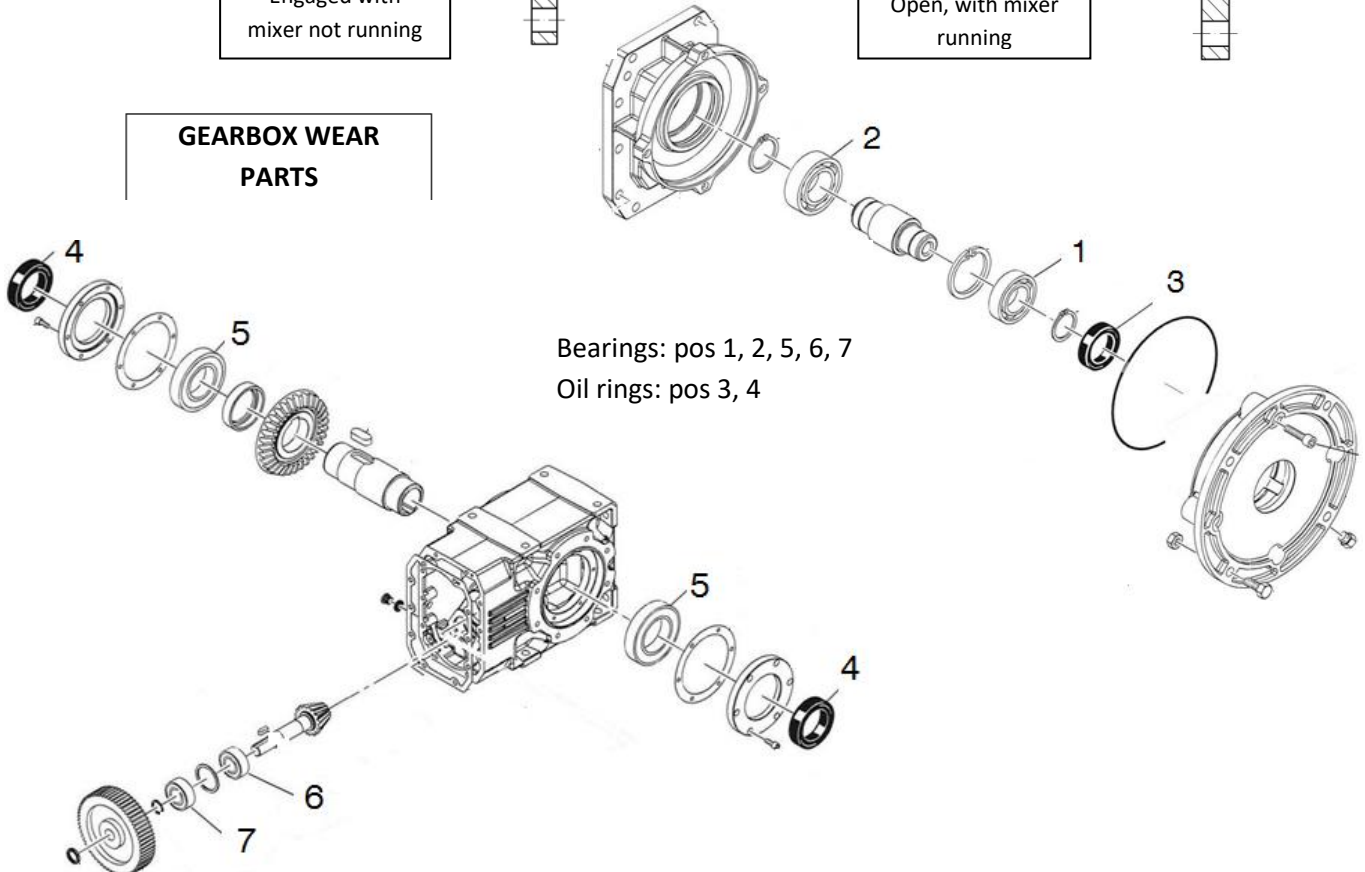
Flange				
DN	M	N	f	s
150	285	240	8 x 22	20
250	395	350	12 x 22	25
300	445	400	12 x 22	25
350	505	460	16 x 22	30
400	565	515	16 x 26	30



ALC	
Pos	Description
1	Electric motor
2	Gearbox
3	stool
4	Cartridge seal
5	Flange
6	Shaft
7	Impeller



GEARBOX WEAR PARTS



Bearings: pos 1, 2, 5, 6, 7
 Oil rings: pos 3, 4