

## ALF series: Side entry mixer with worm screw gearbox

ALF range of side entry mixer is the best solution for simple blending or storage applications in slim vessels up to 17 m height.

Worm screw gearbox has several advantages: cheap, lightweight, compact.

Mixing shaft is directly coupled inside gearbox hollow shaft, fixed with top screw.

Standard version is used when liquid inside vessel do not create problems to seal and when it is accepted to remove mixer from its location for seal replacement.

When no suffix is added to the model seal is a simple SS/graphite, used mainly for wine,

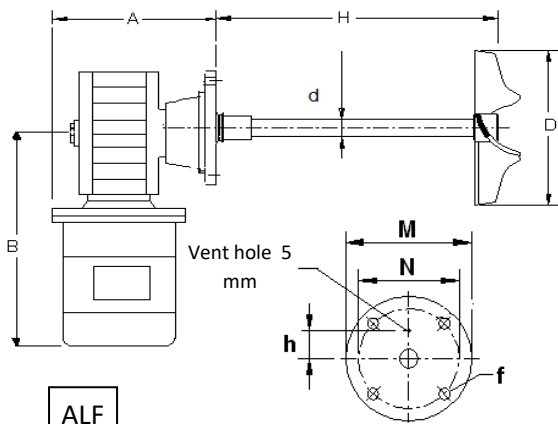
MODEL		MAIN DATA							
		kw	In (A)	RPM	D	d x H	Flange	Kg	m <sup>3</sup> /h
ALF1	ALF1-0,12-E	0,12	0,45	270	M-220	25 x 580	DN50 PN10	11	89
ALF2	ALF2-0,18-E	0,18	0,75	180	C-300	25 x 580	DN80 PN10	16	245
	ALFx2-0,25	0,25	0,85	200	C-300			21	270
	ALF2-0,18-W	0,18	0,75	180	A-300			10	175
	ALF2-0,25-W	0,25	1,0	180	C-300			17	245
ALF3	ALF3-0,25-E	0,25	0,85	140	C-400	30 x 650	DN80 PN10	18	450
	ALF3-0,37-E	0,37	1,4	122	C-450	30 x 650		19	560
	ALFx3-0,55	0,55	1,7	140	F-500	30 x 700		25	670
	ALF3-0,55-W	0,55	1,7	280	C-300	25 x 580		19	380
	ALF3-0,75-W	0,75	2,2	190	C-400	30 x 600	25	600	
	ALF3-0,55-S	0,55	1,7	280	C-300	25 x 600	DN100 PN10	30	380
ALF3-0,75-S	0,75	2,2	190	C-400	30 x 600	DN100 PN10	35	600	
ALF4	ALF4-0,75-E	0,75	2,0	90	C-600	35 x 700	DN100 PN10	30	980
	ALFx4-1,1	1,1	2,6	140	F-590	35 x 700		50	1100
	ALF4-1,1-C-W			190	C-400	30 x 650		40	600
	ALF4-1,1-W	1,5	3,4	190	F-500	30 x 650		50	912
	ALF4-1,5-W			190	F-550	35 x 700		50	1200
	ALF4-1,5-S			45	1200				
ALF5	ALFx5-1,5	1,5	3,4	140	F-660	40 x 700	DN100 PN10	70	1560
	ALF5-1,5-W			122	C-600	35 x 700		70	1320
	ALF5-2,2-W	2,2	4,5	190	F-590	35 x 700	70	1500	
	ALF5-2,2-S					40 x 700	DN150 PN10	85	1500
ALF6	ALF6-4-W	4	8,4	190	F-660	45 x 750	DN150 PN10	110	2100
	ALF6-4-S							125	2100

With suffix **-W**, seal has both hard faces, suitable for sugar based product (juices, sparkling wine)

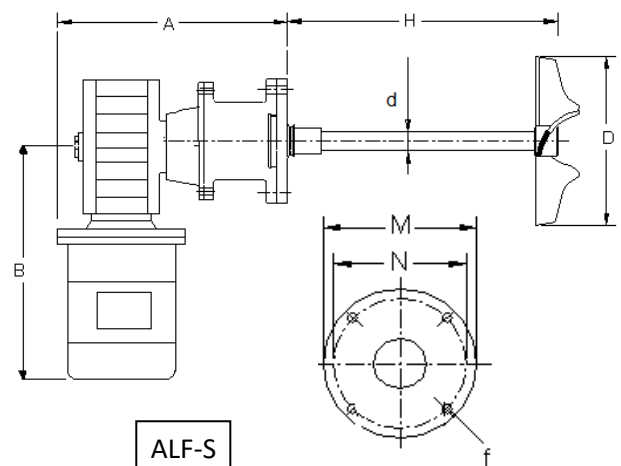
Suffix **-E**, is for clean applications, seal is sterilizable and springs are protected for reduce liquid passage

Suffix **x**, is for ATEX environment applications , seal has faces in graphite/SiC

Version **-S** has additional stool with DN connecting flange. This allows location of a cartridge seal which is replaceable without dismounting mixer and allow several process options. aSeal, single or double, is selected for specific application: standard, high temperatures, corrosives, abrasives, poisons, sticky products.

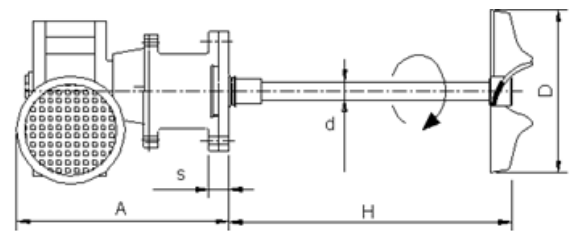
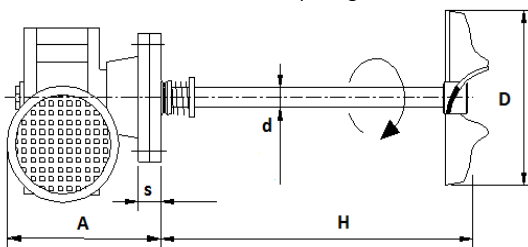


ALF



ALF-S

b = Min bore in flange  
for seal passage



MODEL		DIMENSIONS(mm)								LOADS ON SUPPORT		
		A	B	M	N	f	h	b	s	Torque (Nm)	Bend (Nm)	Thrust (N)
ALF1	ALF1-0,12-E	190	255	165	125	4 x18	35	50	20	1	6	120
ALF2	ALF2-0,18-E	215	295	200	160	4 x18	45	50	20	10	20	180
	ALFx2-0,25	205	325							7	22	600
	ALF2-0,18-W	215	295							5	20	750
	ALF2-0,25-W	215	295							10	25	770
ALF3	ALF3-0,25-E	215	295	200	160	4 x18	45	55	20	20	50	300
	ALF3-0,37-E	215	295							30	60	340
	ALFx3-0,55	220	355							30	50	1000
	ALF3-0,55-W	220	320							20	50	800
	ALF3-0,75-W	220	355							35	70	1000
	ALF3-0,55-S	320	320							220	180	8 x18
ALF4	ALF3-0,75-S	320	360	35	85	1000						
	ALF4-0,75-E	275	345	220	180	8 x18	45	65	35	80	100	570
	ALFx4-1,1	290	370							60	100	1500
	ALF4-1,1-C-W	290	365							35	90	1000
	ALF4-1,1-W	290	365							50	100	1200
	ALF4-1,5-W	290	380							65	120	1600
ALF4-1,5-S	340	380	-							-	20	80
ALF5	ALFx5-1,5	290	420	220	180	8 x18	45	65	35	110	170	2000
	ALF5-1,5-W	300	450							120	210	1700
	ALF5-2,2-W	300	450							120	180	1800
	ALF5-2,2-S	390	450							285	240	8x22
ALF6	ALF6-4-W	350	465	285	240	8x22	65	75	35	200	300	3000
	ALF6-4-S	400	460	-	-	-	-	-	20	200	360	3000