

## AVS SERIES: Top entry mixer with helical gearbox

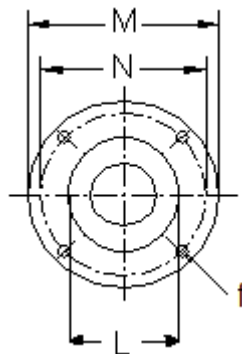
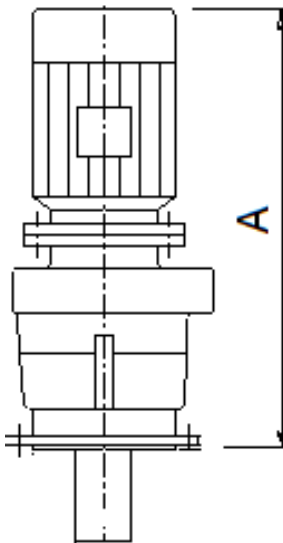
Helical gearbox, selected with high safety factor, has rigid cast iron casing and reinforced bearings, able to keep both torque for allow rotation and bending reaction from rotating impellers, without the help of additional bearing stool.

Motor is in vertical position, so it is preferred configuration when building roof is far from top of tank.

Mixer shaft is fixed to gearbox solid shaft with rigid coupling

RANGE										
AVS		Kw								
		0,55	0,75	1,1	1,5	2,2	3	4	5,5	7,5
RPM	280									
	240									
	190									
	155									
	120									
	100									
	80									
60										
AVS0		AVS1		AVS2		AVS3		AVS4		

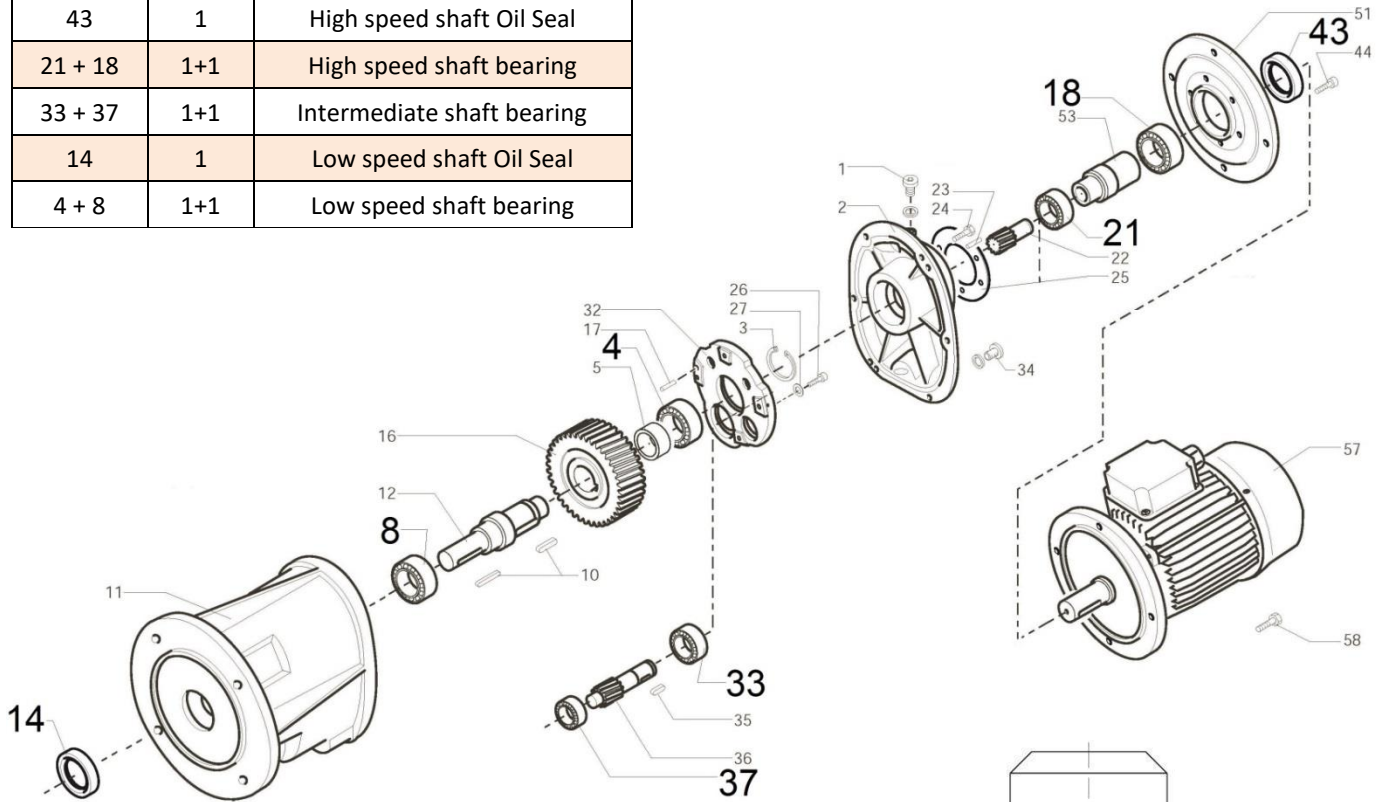
Higher or lower speed are possible



For this model it is possible to make versions with lip or mechanical seal, but it is not the best option as it is necessary to add intermediate removable coupling due to solid shaft of gearbox. Best solution is obtained with hollow shaft gearboxes (AVF, AVL, AVC, models). Standard version is then for open tanks and do not need any seal system.

DIMENSIONS & LOADS ON SUPPORT										
Model	Flange	M	N	L	f	A	∅ shaft	Torque (Nm)	Bending (Nm)	Thrust (N)
AVS0	IEC80	200	165	130 f8	4 x 11	380	30	20	80	250
AVS1	IEC80	200	165	130 f8	4 x 11	490	40	60	160	500
AVS2	IEC100	250	215	180 f8	4 x 14	550	40	180	330	1200
AVS3	IEC132	300	265	230 f8	4 x 14	630	50	500	700	2800
AVS4	IEC132	300	265	230 f8	4 x 14	720	60	1000	1500	3500

Wear Parts		
Pos	Q.ty	Description
43	1	High speed shaft Oil Seal
21 + 18	1+1	High speed shaft bearing
33 + 37	1+1	Intermediate shaft bearing
14	1	Low speed shaft Oil Seal
4 + 8	1+1	Low speed shaft bearing



Pos	Description
1	Electric Motor
2	Gearbox
3	Fixing screw
4	Rigid coupling
5	Screws
6	Shaft
7	Impeller
8	Impeller fastening

