

## AVC SERIES: Top entry mixer with Bevel gearbox

Bevel gearbox, selected with high safety factor, has rigid cast iron casing and reinforced bearings, able to keep both torque for allow rotation and bending reaction from rotating impellers, without the help of additional bearing stool.

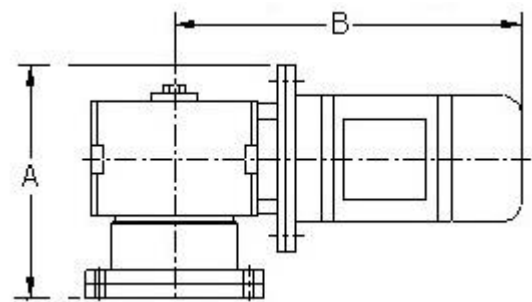
Motor is in horizontal position, so it is preferred configuration when building roof is close to the top of tank.

Mixer shaft is directly connected to gearbox hollow shaft and fixed with top screw and key.

For this reason there is no need for rigid coupling on shaft.

| AVC |     | THE RANGE |      |      |      |      |      |      |      |    |      |    |
|-----|-----|-----------|------|------|------|------|------|------|------|----|------|----|
|     |     | kW        |      |      |      |      |      |      |      |    |      |    |
|     |     | 1,1       | 1,5  | 2,2  | 3    | 4    | 5,5  | 7,5  | 11   | 15 | 18,5 | 22 |
| RPM | 280 |           |      |      |      |      |      |      |      |    |      |    |
|     | 180 |           |      |      |      |      |      |      |      |    |      |    |
|     | 140 |           |      |      |      |      |      |      |      |    |      |    |
|     | 94  |           |      |      |      |      |      |      |      |    |      |    |
|     | 62  |           |      |      |      |      |      |      |      |    |      |    |
|     | 44  |           |      |      |      |      |      |      |      |    |      |    |
|     | 27  |           |      |      |      |      |      |      |      |    |      |    |
|     |     | AVC1      | AVC2 | AVC3 | AVC4 | AVC5 | AVC6 | AVC7 | AVC8 |    |      |    |

| DIMENSIONS & LOADS ON SUPPORT |        |     |      |         |             |           |            |
|-------------------------------|--------|-----|------|---------|-------------|-----------|------------|
| Model                         | Flange | A   | B    | ∅ shaft | Torque (Nm) | Bend (Nm) | Thrust (N) |
| AVC1                          | IEC80  | 250 | 620  | 40      | 500         | 500       | 1500       |
| AVC1-L                        | DN150  | 270 |      |         |             |           |            |
| AVC2                          | IEC100 | 270 | 700  | 50      | 800         | 900       | 3600       |
| AVC2-L                        | DN200  | 290 |      |         |             |           |            |
| AVC3                          | IEC132 | 310 | 800  | 60      | 2000        | 2000      | 5000       |
| AVC3-L                        | DN250  | 335 |      |         |             |           |            |
| AVC4                          | IEC132 | 320 | 820  | 70      | 1700        | 2000      | 4500       |
| AVC4-L                        | DN250  | 345 |      |         |             |           |            |
| AVC5                          | IEC160 | 350 | 900  | 80      | 3000        | 3000      | 6000       |
| AVC5-L                        | DN300  | 375 |      |         |             |           |            |
| AVC6                          | IEC225 | 400 | 1000 | 90      | 5000        | 5000      | 10000      |
| AVC6-L                        | DN400  | 430 |      |         |             |           |            |
| AVC7                          | IEC225 | 430 | 1070 | 100     | 8000        | 6500      | 12000      |
| AVC7-L                        | DN400  | 460 |      |         |             |           |            |
| AVC8                          | IEC250 | 450 | 1200 | 110     | 10000       | 12000     | 15000      |
| AVC8-L                        | DN400  | 480 |      |         |             |           |            |

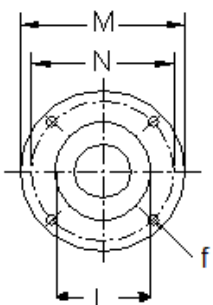


Version –L has additional PN10 flange with radial lip seal included.

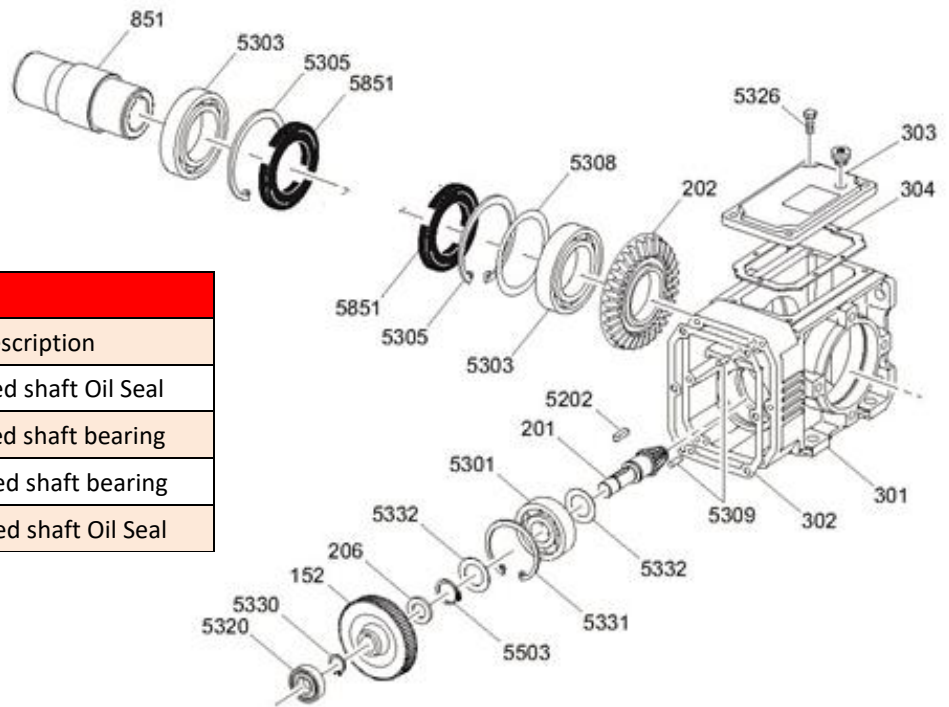
This seal guarantee that all wetted parts are of process material, avoid smokes outlet or possible gearbox oil leakage drop into the tank.

Version –S has additional stool ending with PN10 flange. This also mount cartridge mechanical seal which keep pressure or vacuum required for process reasons inside tank.

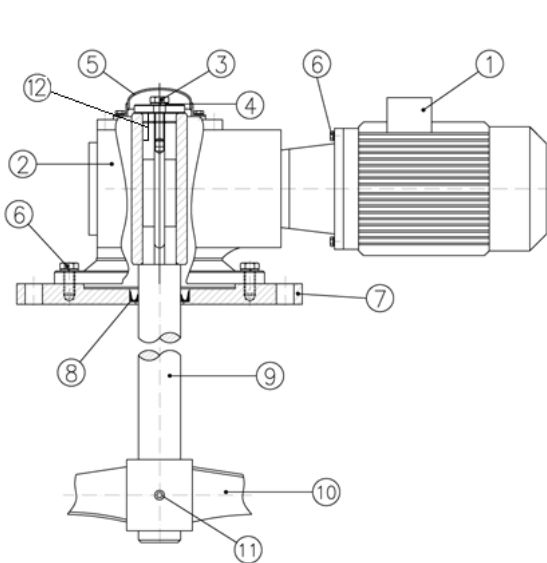
This version also include a flanged coupling on shaft which allow to ship drive unit with mechanical seal mounted even if shaft is dismounted.



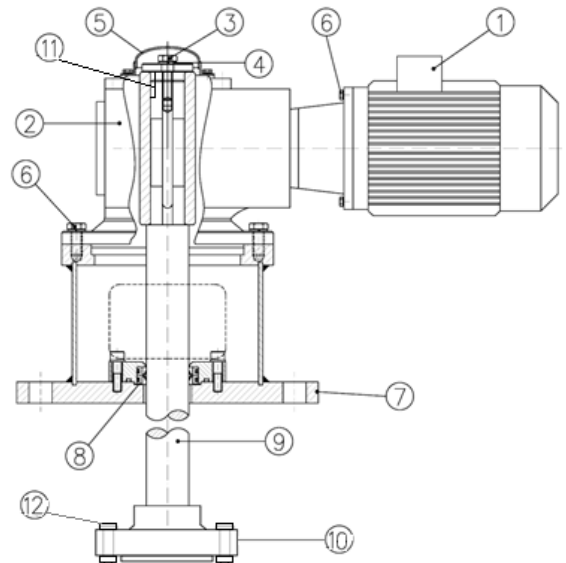
|   | Gearbox Flange |        |        |        |        |        | Added PN10 Flange |        |         |         |         |         |
|---|----------------|--------|--------|--------|--------|--------|-------------------|--------|---------|---------|---------|---------|
|   | IEC80          | IEC100 | IEC132 | IEC160 | IEC225 | IEC250 | DN150             | DN200  | DN250   | DN300   | DN350   | DN400   |
| M | 200            | 250    | 300    | 350    | 450    | 550    | 285               | 340    | 395     | 445     | 505     | 565     |
| N | 165            | 215    | 265    | 300    | 400    | 500    | 240               | 295    | 350     | 400     | 460     | 515     |
| L | 130            | 180    | 230    | 250    | 350    | 450    |                   |        |         |         |         |         |
| f | 4 x 11         | 4 x 14 | 4 x 14 | 4 x 18 | 8 x 19 | 8 x 19 | 8 x 22            | 8 x 22 | 12 x 22 | 12 x 22 | 16 x 22 | 16 x 26 |



| WearParts |      |                           |
|-----------|------|---------------------------|
| Pos       | Q.ty | Description               |
| 5851      | 2    | Low speed shaft Oil Seal  |
| 5303      | 1    | Low speed shaft bearing   |
| 5021      | 1    | High speed shaft bearing  |
| 5023      | 2    | High speed shaft Oil Seal |



| AVC-L |                   |
|-------|-------------------|
| Pos   | Description       |
| 1     | Electric Motor    |
| 2     | Gearbox           |
| 3     | Fixing screw      |
| 4     | Washer            |
| 5     | Protection        |
| 6     | Fixing screw      |
| 7     | Connecting Flange |
| 8     | Lip seal          |
| 9     | Shaft             |
| 10    | Impeller          |
| 11    | Impeller fastener |
| 12    | Key               |



| AVC-S |                        |
|-------|------------------------|
| Pos   | Description            |
| 1     | Electric Motor         |
| 2     | Gearbox                |
| 3     | Fixing screw           |
| 4     | Washer                 |
| 5     | Protection             |
| 6     | Stool                  |
| 7     | Connecting Flange      |
| 8     | Cartridge seal         |
| 9     | Shaft                  |
| 10    | Shaft flanged coupling |
| 11    | Key                    |
| 12    | Fixing screw           |